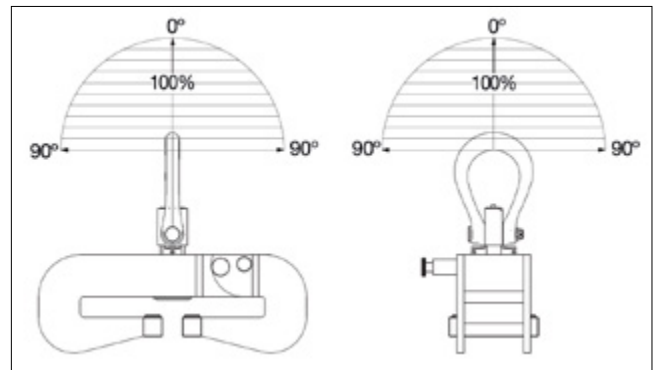
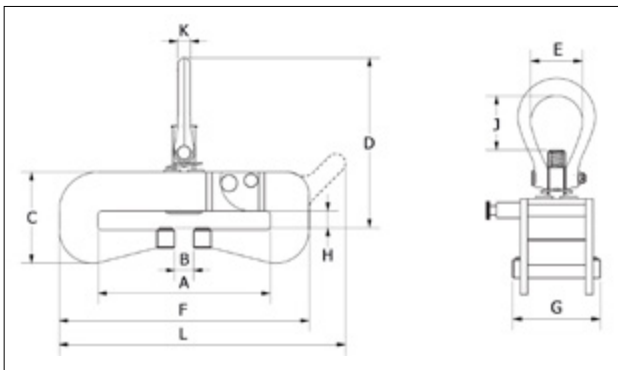


## IPTKA



**Universal beam clamp, maintains full rated capacity in all directions, at angles up to 90°.**

- Bail swivels 360° and pivots 180°.
- Easy to close and open with a hinged body with self-locking device.
- Easy to handle with handgrips.
- No interference or space limitations when tightening the clamp.
- Multi-purpose hoisting eye to be used for tightening as well as for hoisting.
- Maintenance and repair kits are available.
- Can be used for a wide range of profile sizes.
- Individually Proof Tested to 2 times the Working Load Limit with certification.
- Crosby IP logo, Working Load Limit and jaw opening permanently stamped on body.
- Temperature range -40 °C (-40 °F) to +100 °C (+212 °F)



### Model IPTKA



Model	WLL (t)*	Stock No.	Weight (kg)	Dimensions (mm)											Maintenance Kit Stock No.
				A	B	C	D	E	F	G	H	J	K	L	
IPTKA	1	2707101	6.1	90 - 180	34	109	188	33	264	100	6 - 26	43	13	-	2715477
IPTKA	3	2707111	15.9	100 - 205	34	149	307	89	310	130	6 - 26	94	22	369	2729495
IPTKA	3	2707116	14.2	70 - 125	24	134	297	89	257	130	6 - 26	94	22	315	2729495
IPTKA	3	2707117	16.0	100 - 205	54	164	322	89	310	130	20 - 40	94	22	369	2729495
IPTKA	5	2707065	23.3	100 - 305	34	164	306	89	450	150	6 - 26	94	22	-	2729496
IPTKA	5	2707114	16.9	70 - 125	24	139	296	89	297	150	6 - 26	94	22	336	2729496
IPTKA	5	2707115	23.2	130 - 305	74	179	321	89	450	150	20 - 40	94	22	-	2729496
IPTKA	10	2707118	62.0	140 - 405	74	234	450	121	600	220	12 - 42	152	30	-	2729563
IPTKA	15	2707124	71.0	140 - 405	74	244	450	121	630	220	12 - 42	152	30	-	2729563

\*Design Factor based on EN 13155 and ASME B30.20.

