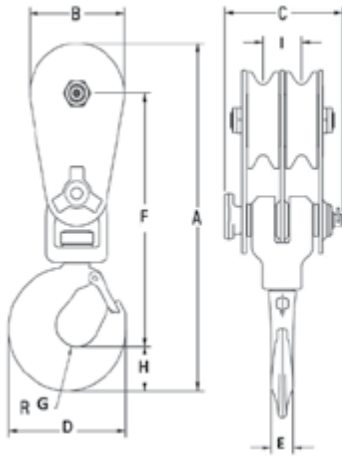


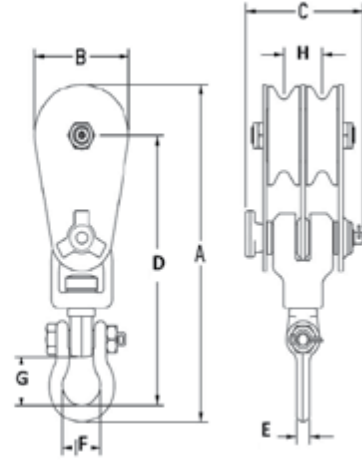
SNATCH BLOCK WITH HOOK OR SHACKLE FITTING DOUBLE SHEAVE, 4-12t



408
With Hook



409
With Shackle



- Two sheave snatch block to allow for additional mechanical advantage, must be reeved with four parts of line.
- Opening feature permits easy insertion of wireline in both sheaves with removal of one bolt.
- 408 is furnished with S-4320 hook latch.
- Center Pin equipped with pressure lube fittings.
- All sizes feature sheave grooves suited for a range of wireline diameters.
- Meets or exceeds all requirements of ASME B30.26. Importantly, these blocks meet other critical performance requirements including fatigue life and material traceability, not addressed by ASME B30.26.
- Kito Crosby's Engineered Solutions Group is ready to discuss your requirements and help select or develop the ideal block for your application. Visit kitocrosby.com/engineeredolutions for more information.

408 Double Sheave Snatch Block with Hook

Working Load Limit (t)	Wire Rope Diameter (in)	Sheave Diameter (in)	Bearing Code	Weight Each (lb)	Stock No.	Dimensions (in)									
						A	B	C	D	E	F	G	H	I	
4 metric tons															
4	3/8 - 1/2	4.5	BB	18	104023	14.77	4.24	5.25	5.24	1.00	10.78	0.94	1.87	1.72	
12 metric tons															
12	5/8 - 3/4	6	BB	45	104103	21.12	6.00	6.13	7.86	1.56	15.50	1.44	2.62	2.03	
12	5/8 - 3/4	6	RB	45	104121	21.12	6.00	6.13	7.86	1.56	15.50	1.44	2.62	2.03	
12	5/8 - 3/4	8	BB	53	104185	23.18	8.12	6.13	7.86	1.56	16.50	1.44	2.62	2.03	
12	5/8 - 3/4	8	RB	53	104201	23.18	8.12	6.13	7.86	1.56	16.50	1.44	2.62	2.03	

4:1 Design Factor.

409 Double Sheave Snatch Block with Shackle

Working Load Limit (t)	Wire Rope Diameter (in)	Sheave Diameter (in)	Bearing Code	Weight Each (lb)	Stock No.	Dimensions (in)								
						A	B	C	D	E	F	G	H	
4 metric tons														
4	3/8 - 1/2	4.5	BB	18	105022	14.03	4.24	5.25	11.22	0.62	1.70	2.01	1.72	
12 metric tons														
12	5/8 - 3/4	6	BB	50	105102	21.12	6.00	6.13	16.36	1.50	3.12	3.12	2.03	
12	5/8 - 3/4	6	RB	50	105120	21.12	6.00	6.13	16.36	1.50	3.12	3.12	2.03	
12	5/8 - 3/4	8	BB	58	105184	23.17	8.12	6.13	17.36	1.50	3.12	3.12	2.03	
12	5/8 - 3/4	8	RB	58	105200	23.17	8.12	6.13	17.36	1.50	3.12	3.12	2.03	

4:1 Design Factor.



APPLICATION AND WARNING INFORMATION
SECTION 17