

## Dee Shackle No 834 and No 835

Standard: DNV 2.7-1 Type Approved, EN 13889 and US Federal Spec. RR-C-271

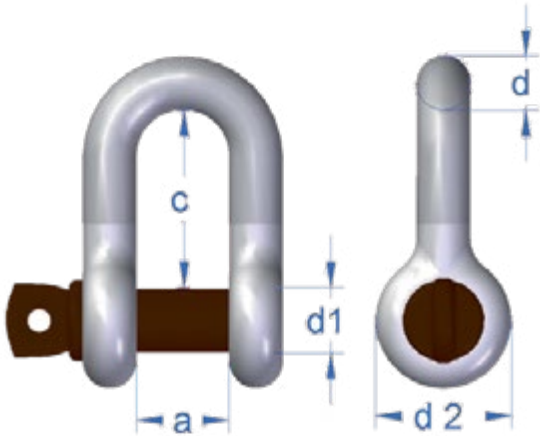
Material: High tensile carbon steel, Quenched & Tempered, Grade 6

Finish: All parts hot-dip galvanized, pin brown painted on top of galvanized.

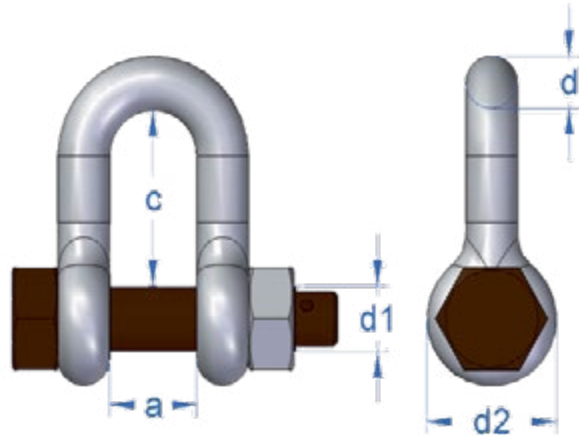
Design Factor: 6:1

Documentation: Test certificate and traceable raw material / inspection certificate acc. EN 10204 - 3.1.  
DNVGL-ST-E271-2.7-1 and E273-2.7-3 Type Approval Certification.

Temperature: -40°C to 200°C



Shackle No 834 with screw pin



Shackle No 835 with safety bolt



834 Screw Pin Stock No.	835 Safety Bolt Stock No.	WLL (t) 6:1	Pin d1 (mm)	Nominal Size d		Inner Width a* (mm)	Inner Length c* (mm)	Eye Outer d2 (mm)	834 Screw Pin Weight (kg)	835 Safety Bolt Weight (kg)
				(mm)	(in)					
A083416	A083516	3.25	19	16	5/8"	27	51	40	0.55	0.60
A083419	A083519	4.75	22	19	3/4"	31	60	48	1.00	1.10
A083422	A083522	6.5	25	22	7/8"	37	71	52	1.30	1.50
A083425	A083525	8.5	28	25	1"	43	81	60	1.90	2.20
A083428	A083528	9.5	32	28	1 1/8"	46	90	64	2.80	3.10
A083432	A083532	12.0	35	32	1 1/4"	52	100	72	3.60	4.20
A083435	A083535	13.5	38	35	1 3/8"	57	111	76	4.60	5.60
A083438	A083538	17.0	42	38	1 1/2"	60	122	84	6.50	7.50
A083445	A083545	25.0	50	45	1 3/4"	74	149	105	11.50	13.00

\* Forging tolerance: +/- 5% on inside width/length.

Split pin included



Applies to shackle  
No 835 only.