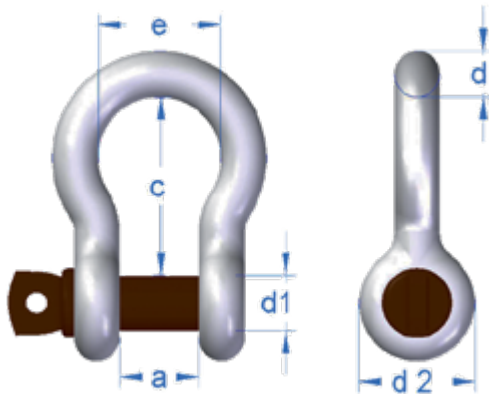
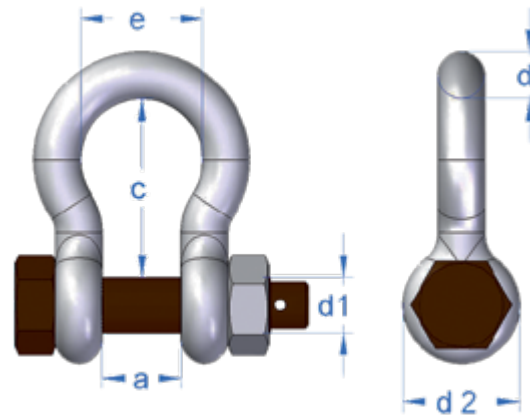


Bow Shackle No 854 and No 855

- Standard: DNV 2.7-1 Type Approved, EN 13889 and US Federal Spec. RR-C-271
- Material: High tensile carbon steel, Quenched & Tempered, Grade 6
- Finish: All parts hot-dip galvanized, brown painted bolts on top of galvanized.
- Design Factor: 6:1
- Documentation: Test certificate and traceable raw material / inspection certificate acc. EN 10204 - 3.1. DNVGL-ST-E271-2.7-1 and E273-2.7-3 Type Approval Certification.
- Temperature: - 4°F to 392°F



Shackle No 854 with screw pin



Shackle No 855 with safety bolt



854 Screw Pin Stock No.	855 Safety Bolt Stock No.	WLL (t) 6:1	Pin d1 (in)	Nominal Size d		Inner Width a* (in)	Inner Length c* (in)	Bow Width e (in)	Eye Outer d2 (in)	854 Screw Pin Weight (lb)	855 Safety Bolt Weight (lb)
				(mm)	(in)						
A085413	A085513	2.0	0.63	13	1/2"	0.83	1.85	1.30	1.30	0.82	0.93
A085416	A085516	3.25	0.75	16	5/8"	1.06	2.36	1.65	1.57	1.43	1.54
A085419	A085519	4.75	0.87	19	3/4"	1.22	2.80	1.93	1.89	2.43	2.65
A085422	A085522	6.5	0.98	22	7/8"	1.46	3.31	2.36	2.05	3.31	3.75
A085425	A085525	8.5	1.10	25	1"	1.69	3.74	2.68	2.36	4.87	5.69
A085428	A085528	9.5	1.26	28	1 1/8"	1.81	4.25	2.91	2.52	6.83	7.50
A085432	A085532	12.0	1.38	32	1 1/4"	2.05	4.69	3.27	2.83	9.26	10.6
A085435	A085535	13.5	1.50	35	1 3/8"	2.24	5.20	3.50	2.99	13.2	15.4
A085438	A085538	17.0	1.65	38	1 1/2"	2.36	5.75	3.86	3.31	17.6	19.8
A085445	A085545	25.0	1.97	45	1 3/4"	2.91	7.01	5.00	4.13	29.7	33.0
A085452	A085552	35.0	2.24	50	2"	3.27	7.76	5.43	4.41	41.8	46.2
A085464	A085564	55.0	2.76	65	2 1/2"	4.13	10.2	7.09	5.71	83.7	85.9

* Forging tolerance: +/- 5% on inside width/length.

Split pin included



Applies to shackle No 855 only.