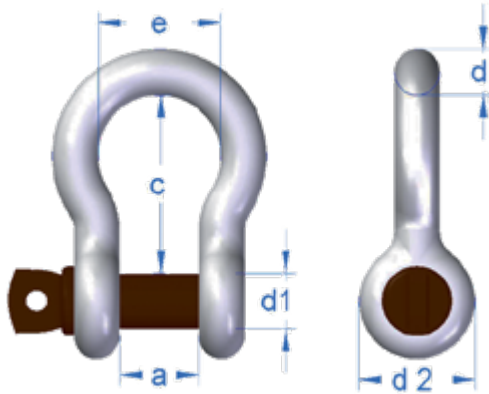
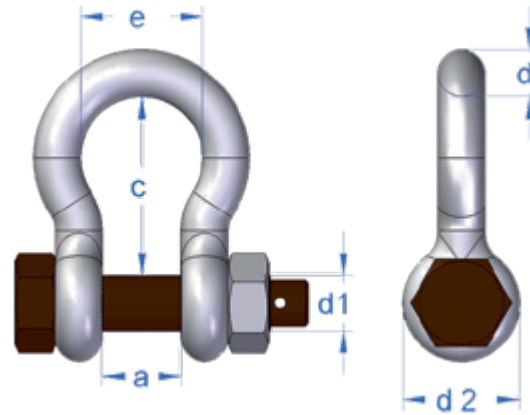


Bow Shackle No 854 and No 855

- Standard: DNV 2.7-1 Type Approved, EN 13889 and US Federal Spec. RR-C-271
- Material: High tensile carbon steel, Quenched & Tempered, Grade 6
- Finish: All parts hot-dip galvanized, brown painted bolts on top of galvanized.
- Design Factor: 6:1
- Documentation: Test certificate and traceable raw material / inspection certificate acc. EN 10204 - 3.1. DNVGL-ST-E271-2.7-1 and E273-2.7-3 Type Approval Certification.
- Temperature: - 20°C to 200°C



Shackle No 854 with screw pin



Shackle No 855 with safety bolt



854 Screw Pin Stock No.	855 Safety Bolt Stock No.	WLL (t) 6:1	Pin d1 (mm)	Nominal Size d		Inner Width a* (mm)	Inner Length c* (mm)	Bow Width e (mm)	Eye Outer d2 (mm)	854 Screw Pin Weight (kg)	855 Safety Bolt Weight (kg)
				(mm)	(in)						
A085413	A085513	2.0	16	13	1/2"	21	47	33	33	0.37	0.42
A085416	A085516	3.25	19	16	5/8"	27	60	42	40	0.65	0.70
A085419	A085519	4.75	22	19	3/4"	31	71	49	48	1.10	1.20
A085422	A085522	6.5	25	22	7/8"	37	84	60	52	1.50	1.70
A085425	A085525	8.5	28	25	1"	43	95	68	60	2.21	2.58
A085428	A085528	9.5	32	28	1 1/8"	46	108	74	64	3.10	3.40
A085432	A085532	12.0	35	32	1 1/4"	52	119	83	72	4.20	4.80
A085435	A085535	13.5	38	35	1 3/8"	57	132	89	76	6.00	7.00
A085438	A085538	17.0	42	38	1 1/2"	60	146	98	84	8.00	9.00
A085445	A085545	25.0	50	45	1 3/4"	74	178	127	105	13.50	15.00
A085452	A085552	35.0	57	50	2"	83	197	138	112	19.00	21.00
A085464	A085564	55.0	70	65	2 1/2"	105	260	180	145	38.00	39.00

Split pin included



Applies to shackle
No 855 only.